

A large industrial drilling rig is the central focus, extending vertically from the bottom to the top of the frame. The rig is a complex structure of metal pipes, ladders, and platforms. To the right of the rig, a red crane is positioned on a truck, with its boom extending upwards. The background is a dramatic sky at sunset or sunrise, with soft, orange and pink clouds. The overall scene is industrial and rugged.

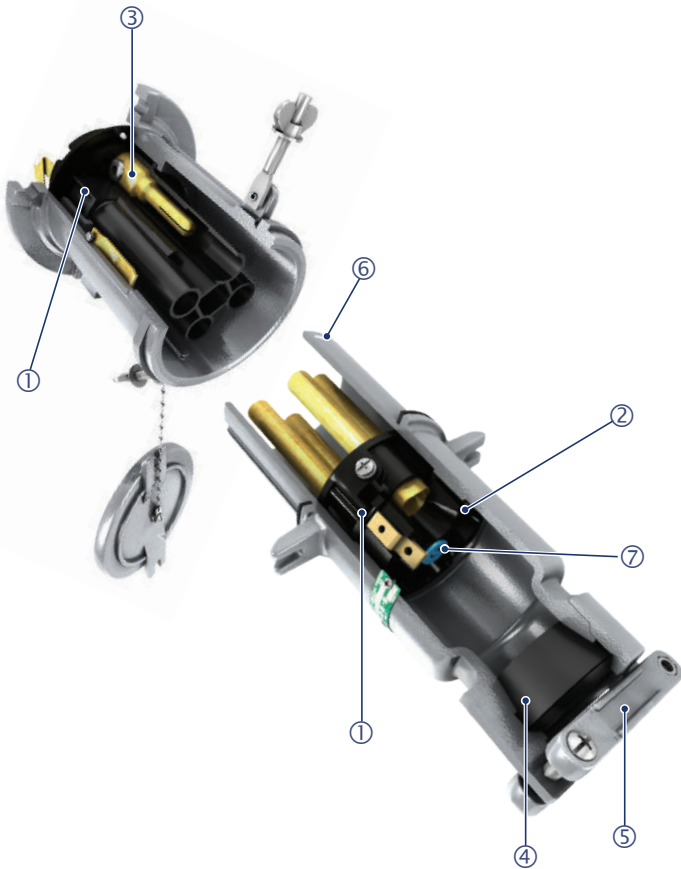
Rugged power connections for vital jobsite equipment

Appleton™ 200 Amp Powertite™ Plugs, Receptacles, and Connectors

Enhanced One-Piece Terminal Block for Faster, Easier Installation and Maintenance



Reduce installation time and labor costs while providing safer connections



Easy to Wire

- New one-piece terminal block allows for faster, more user friendly assembly and servicing
- Redesign eliminated the need for a retaining ring, terminal C-clips and a two-piece terminal block

Increased Maintenance Safety

- Lockout provision on the plug and receptacle provides end users and equipment with a total lockout/tagout system preventing accidental machine startups downstream
- Energized contacts are deeply recessed inside the terminal block to reduce danger of accidental touching and minimize possibility of exposed arcs

Increased Flexibility

- Plugs and connectors now accommodate a cable diameter range from 0.875 to 2.500 inches with the reversible cable clamp and a complete selection of grommets
- Unlike competitors, the 200 Amp Powertite can easily be converted to reverse service in the field

Superior Environmental Protection

- Receptacle meets NEMA 3, 3R, 4, 4X with plug fully inserted or cover closed with wing nuts fully tightened
- Optional NEMA 4X plug dust cap protects insulation and contacts from excessive debris, moisture, and corrosion when not in use

The Powertite Advantage

Emerson redesigned the Appleton 200 Amp Powertite Series Pin and Sleeve Plugs, Receptacles and Connectors to streamline tedious wire terminations. The improved product offers greater flexibility, increased safety, and improved environmental protection.

Whether you have a standard or reverse service applications, the new 200 Amp Powertite Series offers a faster installation and maintenance process. With UL and CSA certifications, NEMA 3, 3R, 4, 4X ratings, this series saves both time and money in applications that require a rugged, durable, and environmentally proven solution.

Redesigned to provide superior performance and safety.

① One-Piece Terminal Block



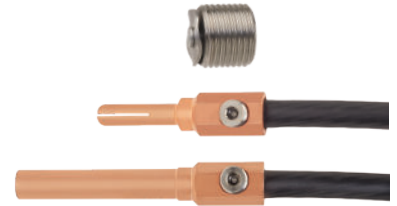
- One-piece terminal block makes wire termination simpler with no need to disassemble components
- Nested Allen slots inside the terminal block allow terminal screws to be tightened faster and easier
- Funnel shaped terminals guide conductors and prevent them from fraying

② Plug Shell Alignment Key



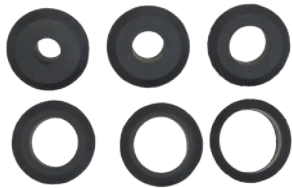
- Helps guide the terminal block back into place after wiring or servicing
- No more second guessing on lining up the terminal block with the plug shell screw holes
- Included on all standard and reverse service plug housings

③ Simplified Terminals



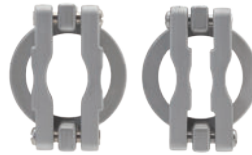
- Terminals require only one terminal screw instead of two
- Saddle clamp terminal screw has a back plate with optimal surface area keeping conductors secure

④ Labeled CD & E Size Grommets



- Universal cable accommodation
- Accommodates cable diameter range from 0.875 to 2.500 inches
- Convenient in applications requiring different cable sizes
- Cable diameter label on grommets enables fast and easy identification

⑤ Reversible Cable Clamps



- Universal cable accommodation
- Accommodates cable diameter range from 0.875 to 2.500 inches
- Simply loosen screws and flip over to accommodate either CD (0.875 to 1.906 in) or E (1.875 to 2.500 in) cable sizes
- Provides strain relief protection to conductors inside housing

⑥ Plug Lockout Slot



- Allows our plug lockout accessory to be inserted into the plug lockout slot and then padlocked, preventing accidental insertion during downstream maintenance
- Provides an easy access lockout/tagout point to comply with OSHA 1910.147 standard

⑦ Marked Terminal Insert



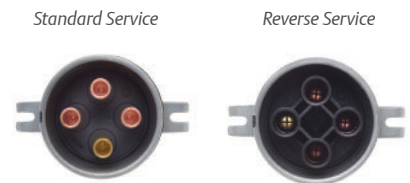
- Visual indication of phases ensures proper wire insertion
- Standard on 4-Pole plugs and receptacles

Optional NEMA 4X Plug Cap



- Protects insulation and plug contacts from excessive debris, moisture, and corrosion when not in use
- Eliminates the need for ineffective work-around solutions in the field

Reverse Service



- Ideal for generator applications where the receptacle houses a dead plug interior and the plug an energized receptacle interior
- Can easily be converted to reverse service in the field



Engineered for the toughest environments
where robust connections are critical to
maintaining operations.



APPLETON™

Your local contact: [Emerson.com/contactus](https://www.emerson.com/contactus)



[Emerson.com](https://www.emerson.com)



[Facebook.com/EmersonAutomationSolutions](https://www.facebook.com/EmersonAutomationSolutions)



[LinkedIn.com/company/Emerson-Automation-Solutions](https://www.linkedin.com/company/Emerson-Automation-Solutions)



[Twitter.com/EMR_Automation](https://twitter.com/EMR_Automation)

The Emerson logo is a trademark and service mark of Emerson Electric Co. Appleton is a registered trademark of Appleton Grp LLC. All other marks are the property of their respective owners. © 2019 Emerson Electric Co. All rights reserved.



EMERSON™

CONSIDER IT SOLVED™